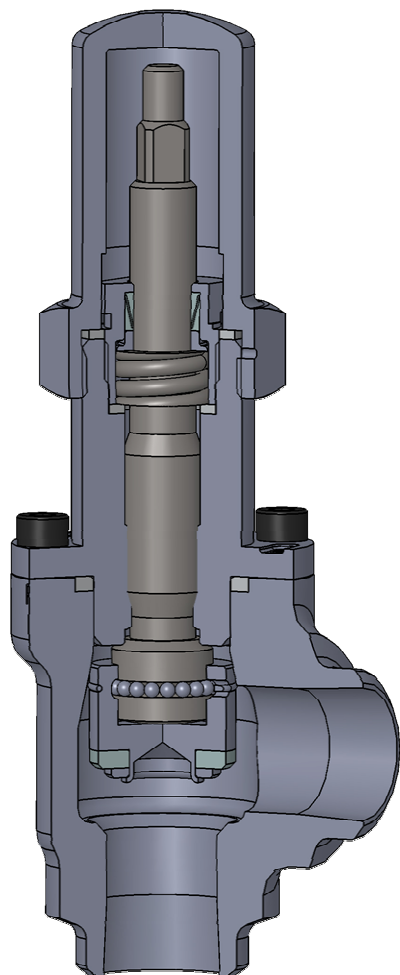


New

VALVE for ALL REFRIGERANT



Spindle Tightness is secured by a PTFE tape compressed by spring

Aluminium gasket for cap and valve body

Available for ND 10 / 15 / 20 and 25
PN 65
-50°C à +150°C

Similar connection from standard valve

- for welding class S (ASTM standard)
- for welding class M (DIN 2448)
- for brazing class B
- for welding (2mm) class H

This valve is not compatible with Alkali

