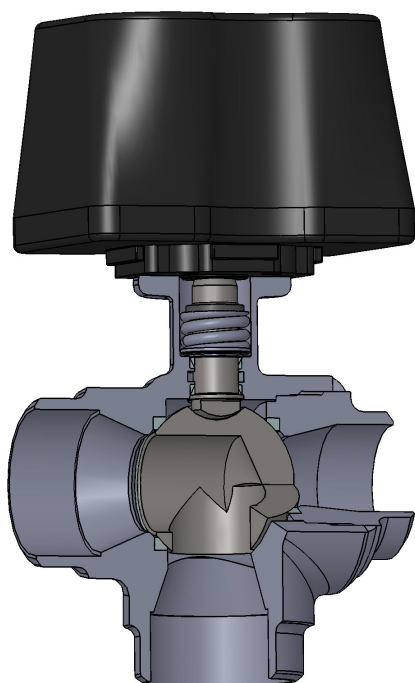


**NEW**

# THREE-WAY BALL VALVE

NP 40

-50°C / +150°C



Three-way ball valve cast in one piece equipped with electrical actuator 2 or 3 position

Non-dismantled valve designed for heat pump

Available ND 20 full bore and ND 40 reduced bore

Connections :

- For brazing class B

